



QUALITY... PLAIN & SIMPLE®

Chrysler 727, 904, and 518 Tailmount Automatic Transmission Shifter Installation Instructions

General Installation Notes:

Please read these instructions completely before beginning the installation. If you have any questions, please call.

Before beginning the installation, disconnect the negative battery cable and use wheel chocks to block the vehicle's wheels.

Make sure the engine, transmission, body, and frame are properly grounded.

Refer to Fig. 1 for the component names.

Tools and Materials Required:

- Standard Allen wrenches: 1/8", 5/32", 3/16", 7/32"
- Wrench or Socket Sizes: 5/16", 3/8", 7/16", 1/2", 9/16", 5/8", 7/8"
- Tape Measure
- Metal cutting tool, such as a hacksaw or a die grinder with a cut-off wheel
- Ohmmeter
- Wire cutters/strippers
- Wire crimping or soldering tools
- Blue thread locking compound

Lokar Shifters are designed to fit specific transmissions. Before installing the Shifter, verify that you have the proper model for your transmission. If your Shifter does not seem to fit properly, do not make modifications during installation as this may void your warranty. Call for assistance.

Verify that the shifter length you have purchased is what you actually want. When installed, the bottom of the shifter lever will be approximately 4" above the tail housing bolts. From that point up to the top of the shifter knob is how the shifter length is determined.

Before attempting to make any adjustments, the Shifter must be installed on the transmission and the transmission must be installed in the vehicle.

The shifter lever is designed to lock in Park and in Neutral. You must depress the release button in the top of the shifter knob in order to shift out of Park or Neutral. The release button will only be flush with the top of the shifter knob when the shifter lever is in Park or Neutral.

To shift from Park directly to Drive, depress the release button and hold it down while moving the shifter lever, and the shifter will automatically stop in the Drive position. Once you release the button, the shifter will allow you to move the lever into the next lower gear. You must depress the button again to shift down again.

These instructions assume that you have full access to the transmission when the shifter installation is begun, with the transmission removed from the vehicle, or the vehicle body removed from the chassis.

Chrysler 727, 904, and 518 Tailmount Automatic Transmission Shifter Installation Instructions

Building American Quality... With A Lifetime Warranty!®

TOLL FREE 1-877-469-7440 • tech@lokar.com • www.lokar.com

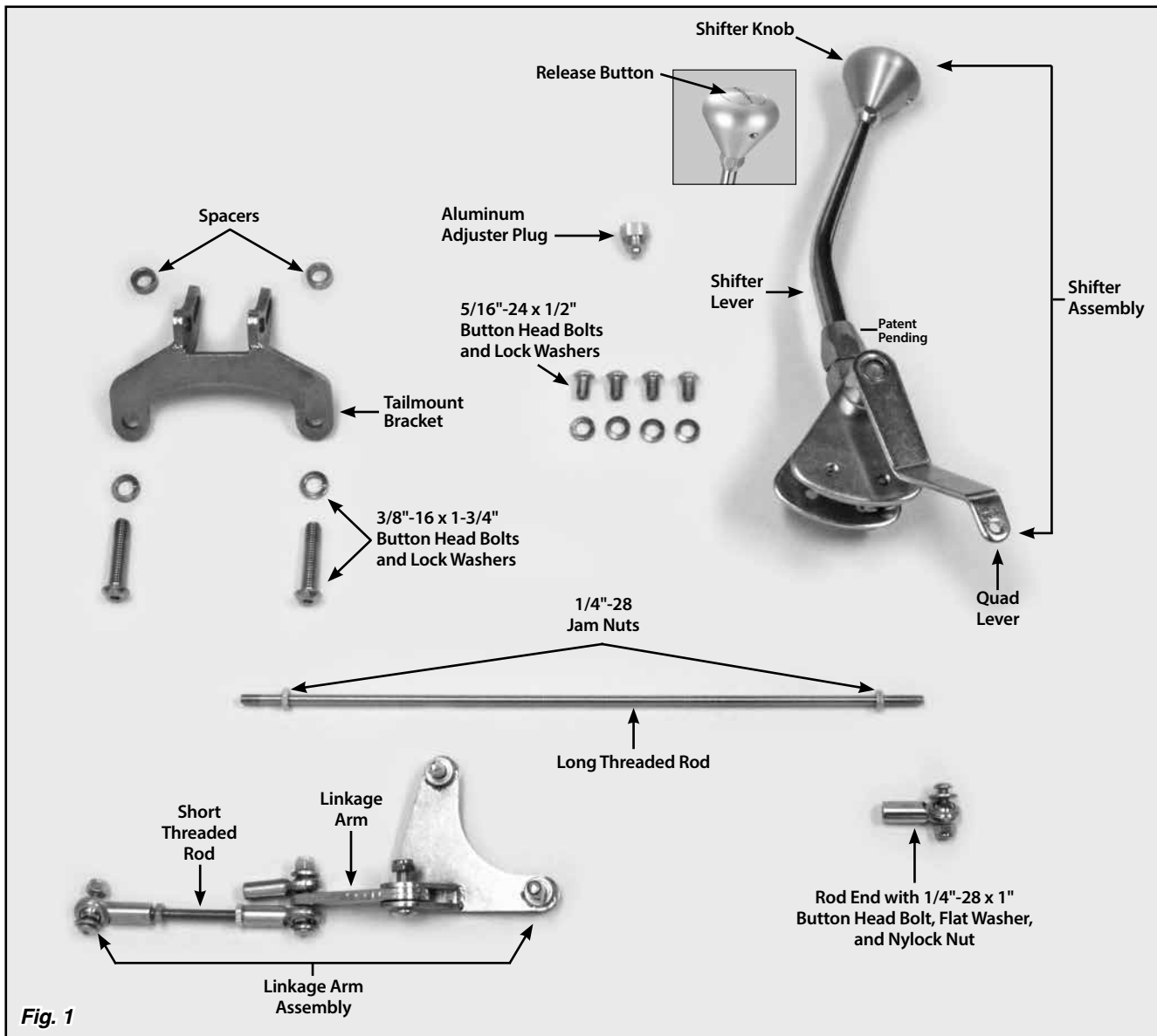


Fig. 1

Step 1: If your vehicle already has a shifter of any type installed, disconnect all shifter linkage and remove the shifter and its related hardware (neutral safety switch, back-up light switch, etc.).

Step 2: The tailmount bracket can be mounted onto the tail housing in two different positions. It can be mounted with the welded banana brackets pointing forward towards the bellhousing, or pointing rearward towards the end of the tail housing. These two positions give the Lokar Shifter approximately a 2" difference from front to back.

Determine which position will work the best for your particular application.

Step 3: Remove the top two tail housing bolts from your transmission. The Lokar Shifter includes two new 3/8"-16 x 1-3/4" button head bolts and lock washers and two spacers for mounting the tailmount bracket.

Step 4: Install the lock washers onto the new bolts, and insert the new bolts into the rear side of the tailmount bracket. Slide the spacers onto the new bolts, and install the tailmount bracket onto your transmission, with the spacers between the tailmount bracket and the transmission. **Fig. 2**

Step 5: Insert the shifter assembly into the tailmount bracket so that the bolt holes line up with the curved, slotted holes in the welded banana brackets. Install four 5/16"-24 x 1/2" button head bolts and lock washers, using a 3/16" Allen wrench. **Fig. 3**

Step 6: If you do not already have an opening in the floor in the correct location for the Shifter, measure the distance from the front of the transmission to the center of the Shifter. Transfer that measurement to the vehicle and cut the shifter opening in the floor. If you are using a Lokar Shifter Boot, the maximum opening for a round boot is 4" in diameter, and the maximum opening for a rectangular boot is 4" wide by 5-1/2" long.

Before proceeding any further, the transmission should be installed in the vehicle, with the vehicle body, driver's seat and dashboard in place.

Step 7: Make sure the two 5/16"-24 x 1/2" button head bolts and lock washers in the driver side of the shifter assembly on the welded banana bracket are tight. Move the Shifter through all the gear positions. Make sure that the shifter lever and knob do not come in contact with the dash or the seat. The shifter assembly can be tilted forward or backward if needed by loosening the 5/16"-24 x 1/2" button head bolts and lock washers in the welded banana bracket on the driver side. Be sure to re-tighten the bolts in the welded banana bracket after adjusting the angle of the shifter assembly. **Fig. 3**

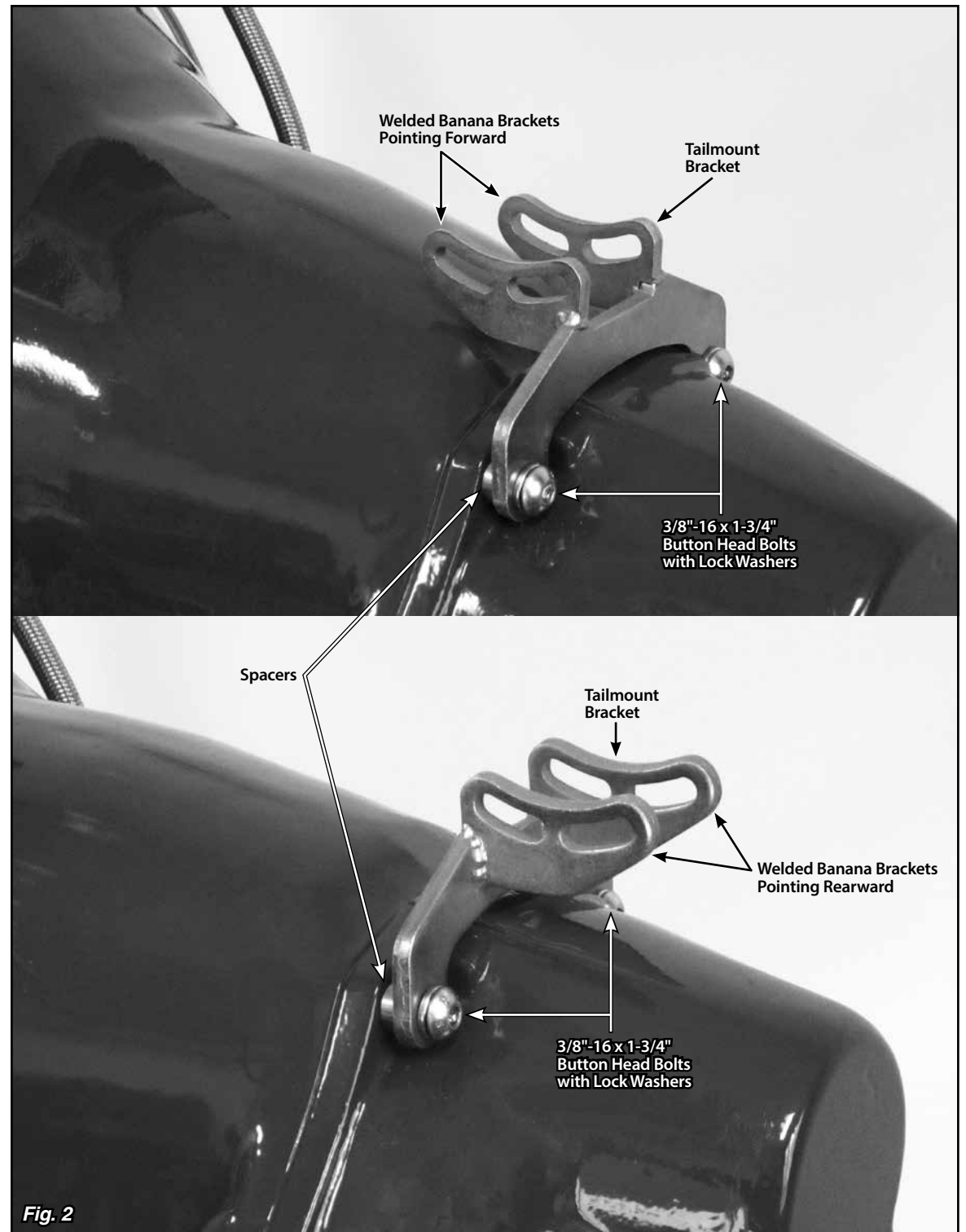
If you disassemble the shifter assembly later, be sure that the 5/16"-24 x 1/2" button head bolts and lock washers are put back into the curved, slotted holes in the welded banana brackets. Installing longer bolts will prevent the Shifter from operating.

NOTE: If you find after installation that the shape or length of the shifter lever is not suitable for your application, Lokar has a number of different styles and lengths of Shifter Lever Replacement Kits available for purchase separately through our dealer network.

Step 8: Put the shifter lever into the Park position and check the position of the quad lever. It will need to be pointing to about the 4:30 – 5:00 position. If it is not, loosen the set screw in the top of the quad lever with a 1/8" Allen wrench and slide the quad lever off of the shaft. Reposition it on the shaft at approximately the 4:30 – 5:00 position, and retighten the set screw. **Fig. 4**

Step 9: Remove the forward-most bolt from the driver side of the transmission pan, and the bolt that is the furthest to the driver side on the front of the transmission pan. Remove the masking tape from the 5/16"-18 x 1-1/4" bolts on the provided linkage arm assembly. Install the linkage arm assembly onto the underside of the front driver side corner of the transmission pan. **Fig. 5**

Step 10: Verify that the linkage arm and rod ends are assembled correctly, with the short threaded rod on the outside of the linkage arm, away from the transmission. **Fig. 6** If not, rearrange the parts as needed in order to match **Fig. 6**. The bolt can be installed from either side, but make sure there is a flat washer to the outside of each rod end. Tighten the 5/16"-24 x 7/8" button head bolt and nylock jam nut at the bottom of the linkage arm. Then, loosen the 5/16"-24 nylock jam nut just enough so that the linkage arm can pivot freely.



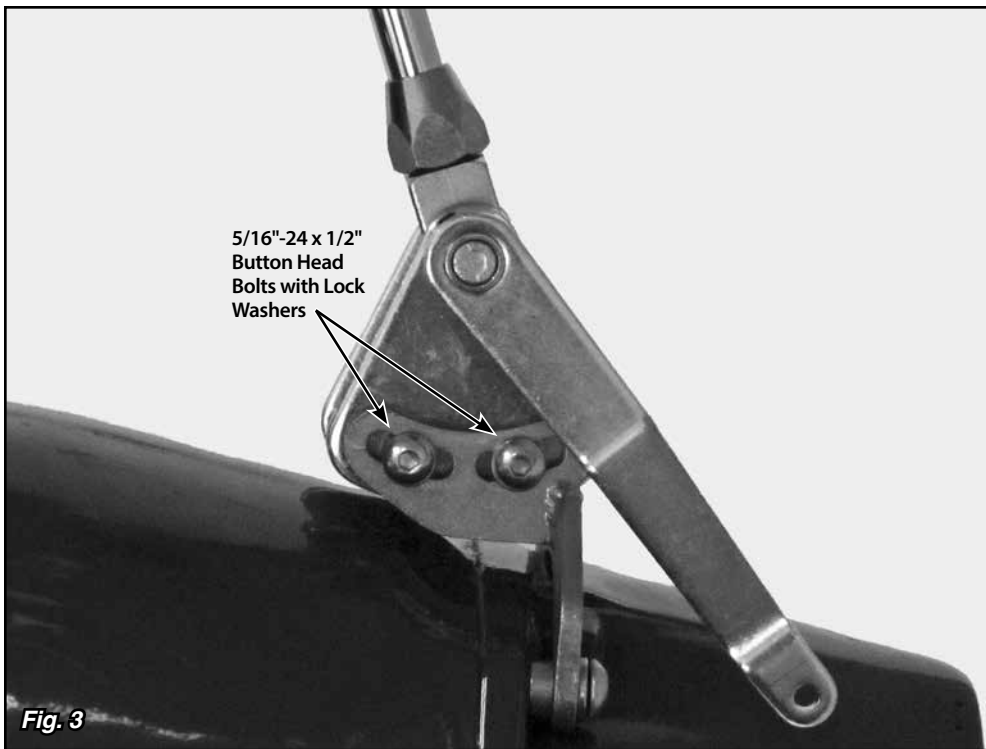


Fig. 3

Step 10 continued:

Make sure the transmission is in Park. The factory trans arm should be pointed to the driver side of the vehicle and slightly towards the rear, at approximately the 4:30 to 5:00 position if looking down on it from above, as shown in **Fig. 7**. Connect the rod end on the short threaded rod to your factory trans arm, using the provided 1/4\"-28 x 1\" button head bolt with flat washer and nylock nut.

Adjust the rod ends in or out on the short threaded rod as needed in order to get the linkage arm pointed up at approximately the 1:00 position. If the linkage arm interferes with the kickdown lever or linkage, you can position the linkage arm a little higher (closer to 12:00). It may be necessary to bend or shorten the short threaded rod in order to get the linkage arm in the correct position.

Once you have the short threaded rod adjusted correctly, tighten the 1/4\"-28 jam nuts against the rod ends. Then, make sure there are flat washers to the outside of both rod ends on the short threaded rod, and tighten the 1/4\"-28 nylock nut at the top of the linkage arm. **Fig. 8**

Step 11: The long threaded rod will connect the quad lever to the linkage arm. Check to make sure that nothing will interfere with the travel of the long threaded rod.

If there is any interference, the long threaded rod can be bent slightly as needed.

Verify that both the shifter lever and the transmission are in the Park position. Measure center-to-center between the 1/4\" hole in the quad lever on the shifter assembly and the button head bolt in the top of the linkage arm on the transmission. Subtract 1-3/4\". **Fig. 9** This is the length you will cut the long threaded rod to. Use a hacksaw or cutoff wheel to shorten the long threaded rod, and then, de-burr the cut end of the rod.

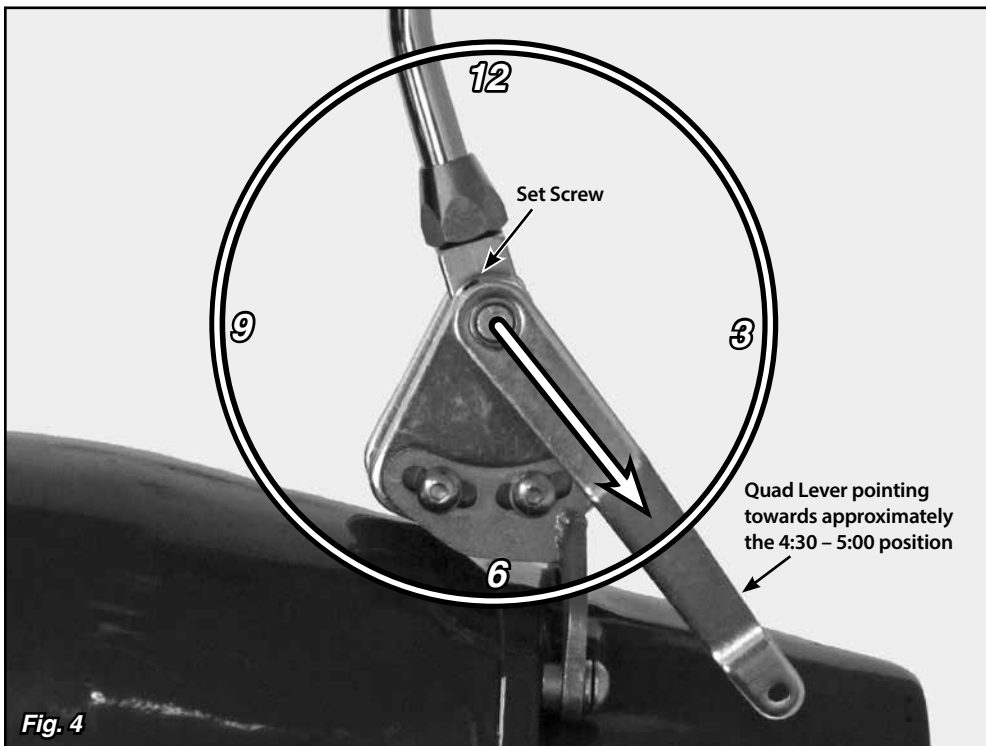


Fig. 4

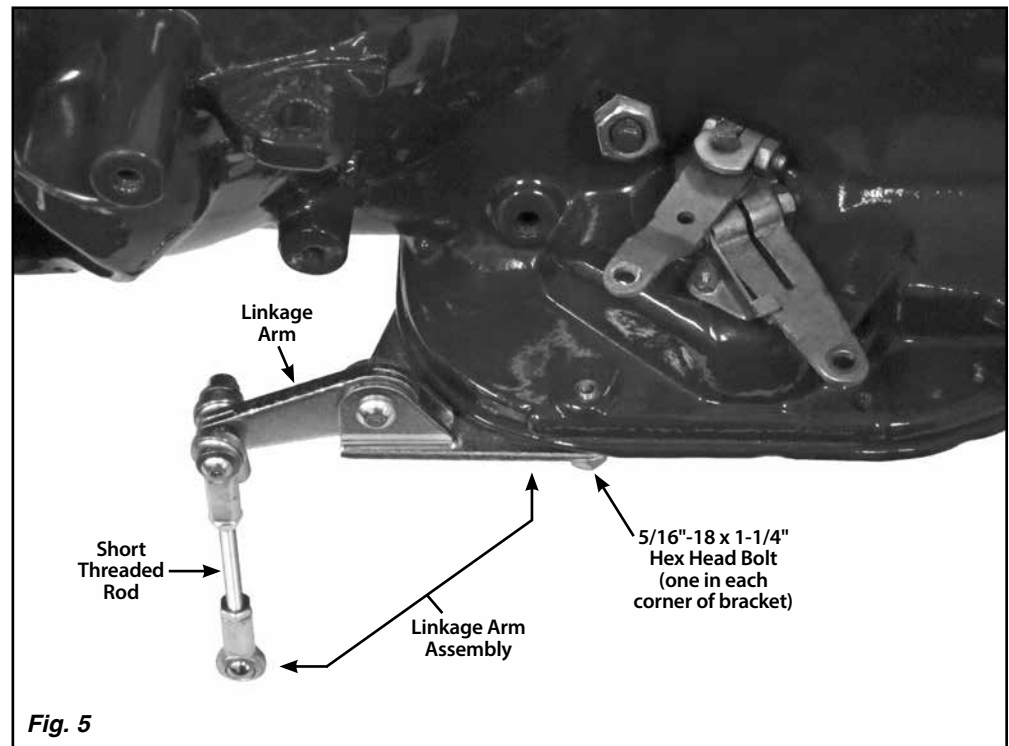
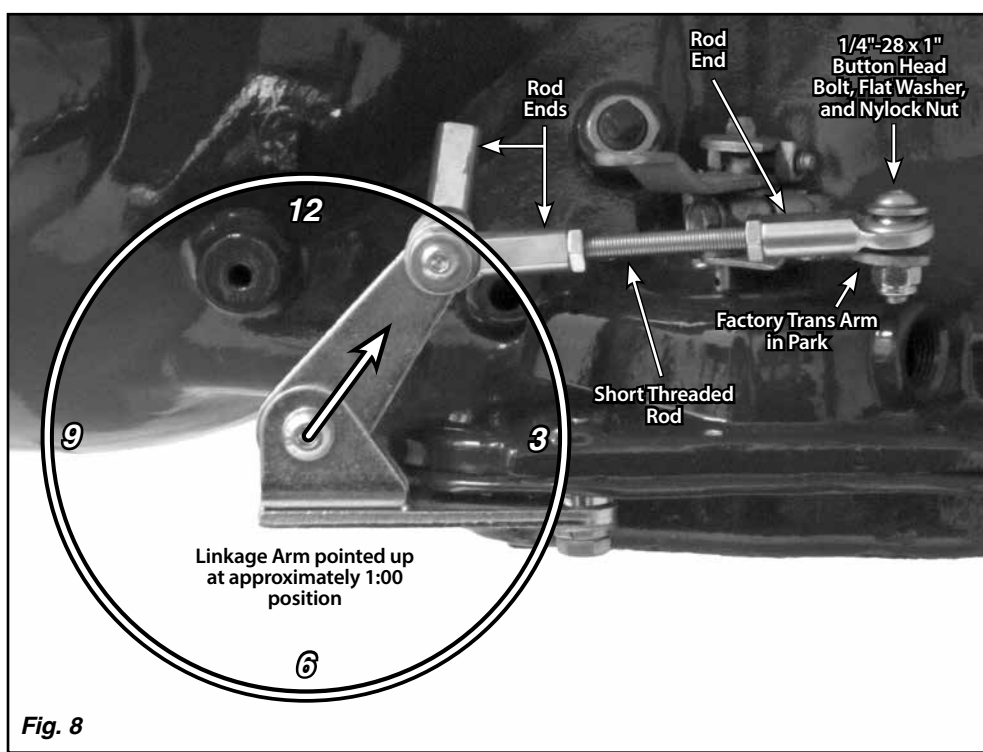
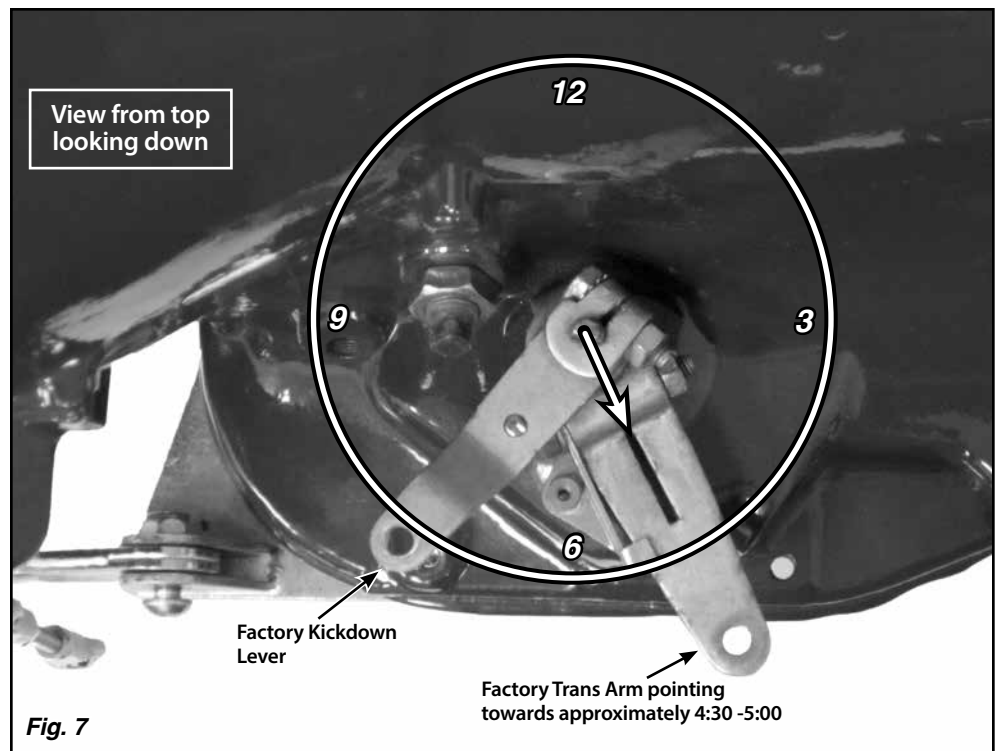
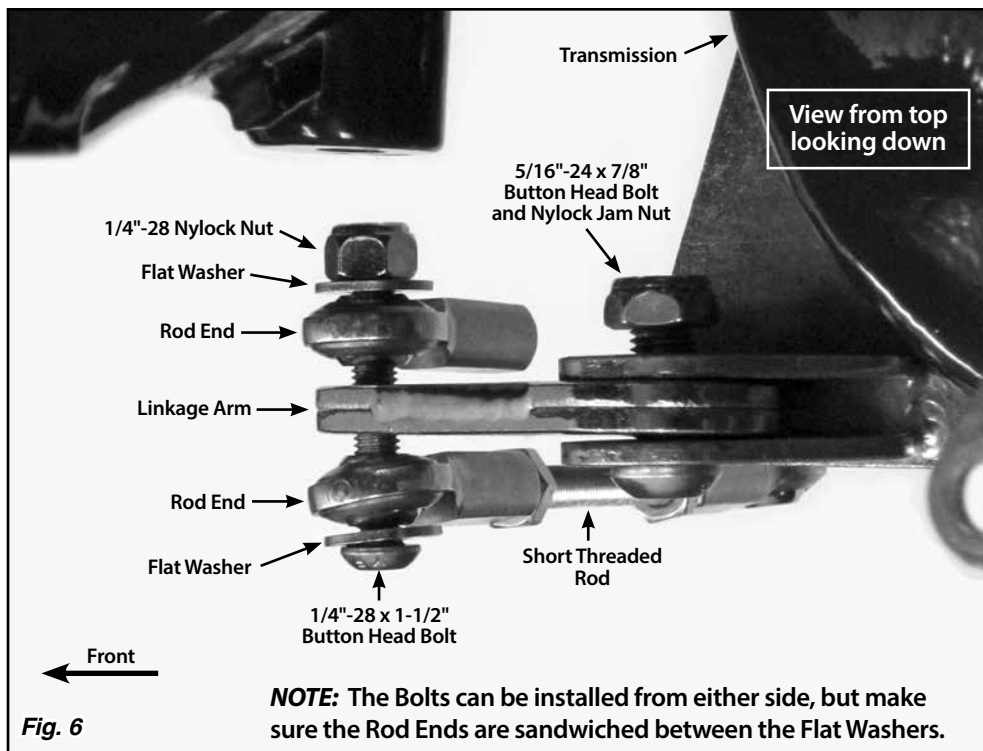


Fig. 5



Step 12: Verify that both 1/4"-28 jam nuts are on the long threaded rod. Thread one end of the long threaded rod into the rod end on the linkage arm, and install a rod end onto the opposite end of the long threaded rod. Attach that rod end to the **outside** of the quad lever using the 1/4"-28 x 1" button head bolt, flat washers, and nylock nuts as shown in **Fig. 10**. The 1/4"-28 x 1" button head bolt can be installed from either direction, but make sure the rod end is sandwiched between the flat washer and the quad lever.

Step 13: Check the adjustment of the shifter linkage by placing the shifter lever all the way forward into the Park position. Make sure that the release button still moves up and down freely. The release button should be flush with the shifter knob in Park and Neutral. In the Reverse position, you cannot pull the shifter lever back into Neutral without depressing the release button.

While the shifter lever is in the Park position, make sure the transmission is firmly in the Park detent, with no tension on the long threaded rod. You can verify this by removing the 1/4"-28 x 1" button head bolt with nylock nut that attaches the arm to the quad arm. Make sure the hole in the rod end exactly aligns with the hole in the quad arm. The bolt should pass freely through both holes at the same time without binding. Do not force the holes to line up.

If the holes are not aligned, screw the rod end in or out just enough to be able to slide the bolt in and out without putting tension on the long threaded rod. Make sure that the quad arm and linkage arm do not move during the adjustment procedure. Use this adjustment routine until the bolt will pass freely in and out of both the rod end and the quad arm. Reinstall the 1/4"-28 nylock nut and the flat washer onto the bolt and tighten.

Once you have the shifter linkage adjusted correctly, tighten the jam nuts on the long threaded rod.

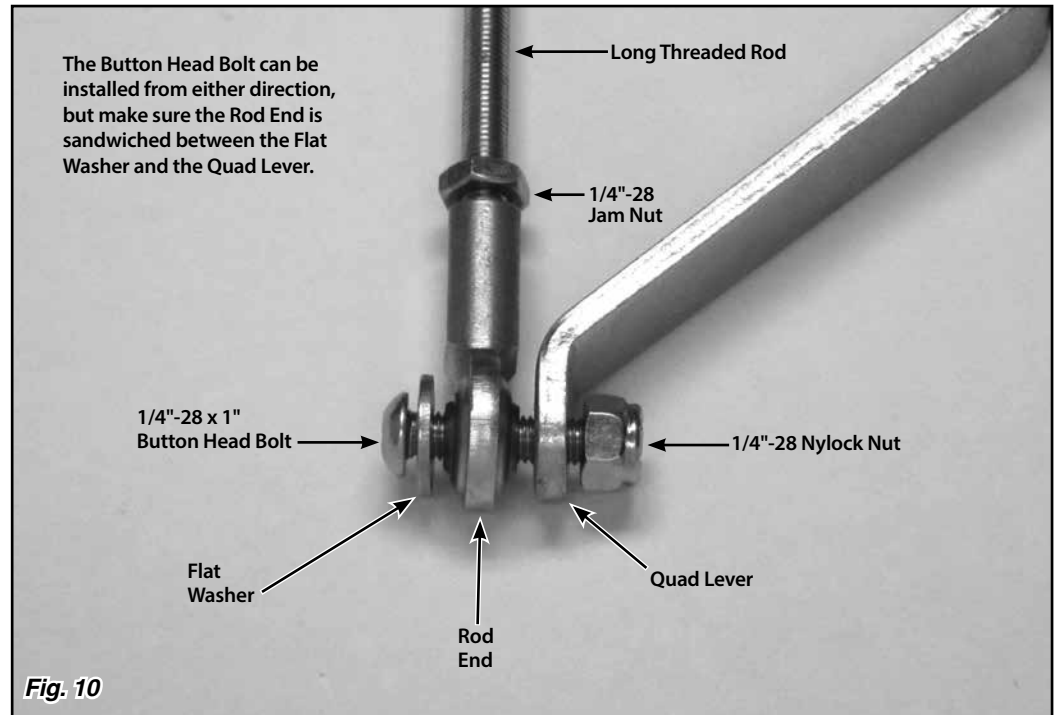


Fig. 10

Neutral Safety Switch Adjustment and Wiring

Step 14: For the neutral safety switch to function properly, the shifter linkage must be adjusted correctly. Do not attempt to adjust the neutral safety switch unless you have completed **Step 13**.

The Lokar Neutral Safety Switch is a simple on/off, non-directional switch. The switch passes current (turns on) when the ball is pushed in. It does not pass current (turns off) when the ball is out at its at-rest position.

Double check to make sure that the bolts in the **driver** side welded banana bracket are tight.

Step 15: Remove the neutral safety switch and washer (**Fig. 11**) from the passenger side of the Shifter using a 7/8" wrench or socket.

Step 16: Loosen, but do not remove, the two 5/16"-24 x 1/2" button head bolts that connect the passenger side welded banana bracket to the switch plate (the bolts are in curved, slotted holes). **Fig. 11**

WARNING: Before taking the Shifter out of Park, be sure that the vehicle's tires are blocked and the parking brake is set to avoid movement of the vehicle.

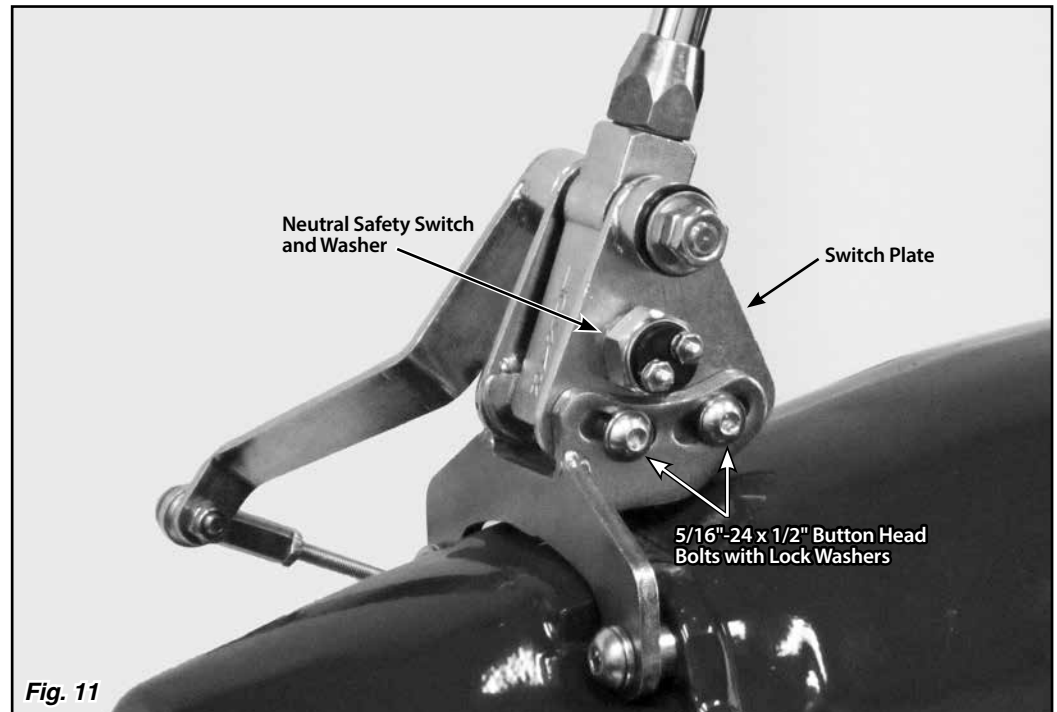


Fig. 11

Step 17: Put the Shifter into the Reverse position. Reposition the switch plate so that the hole in the switch plate lines up with the center groove in the shifter body. **Fig. 12** Screw the provided aluminum adjuster plug into the neutral safety switch opening. Wiggling the switch plate slightly forward and back while you are screwing the aluminum adjuster plug in will help get the shifter body centered on the adjuster plug. **Fig. 13**

Step 18: Retighten the two 5/16"-24 x 1/2" button head bolts that connect the passenger side welded banana bracket to the switch plate.

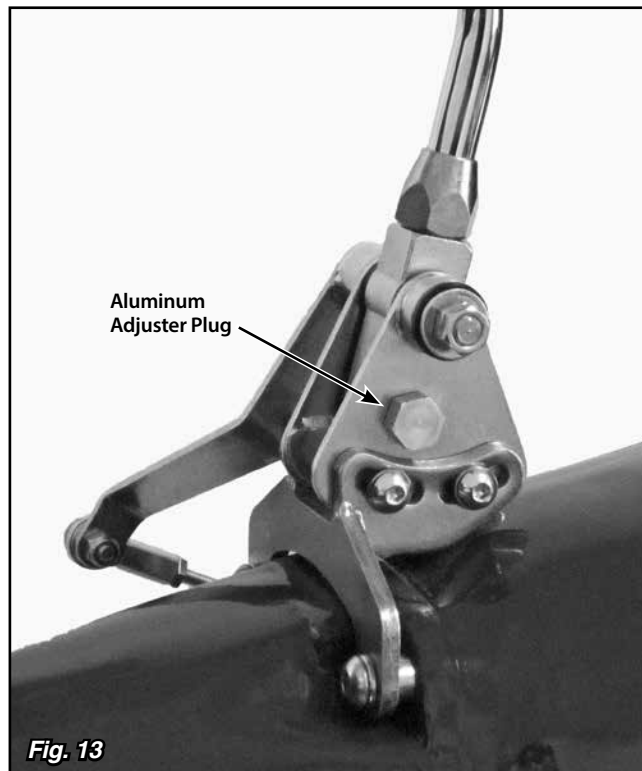
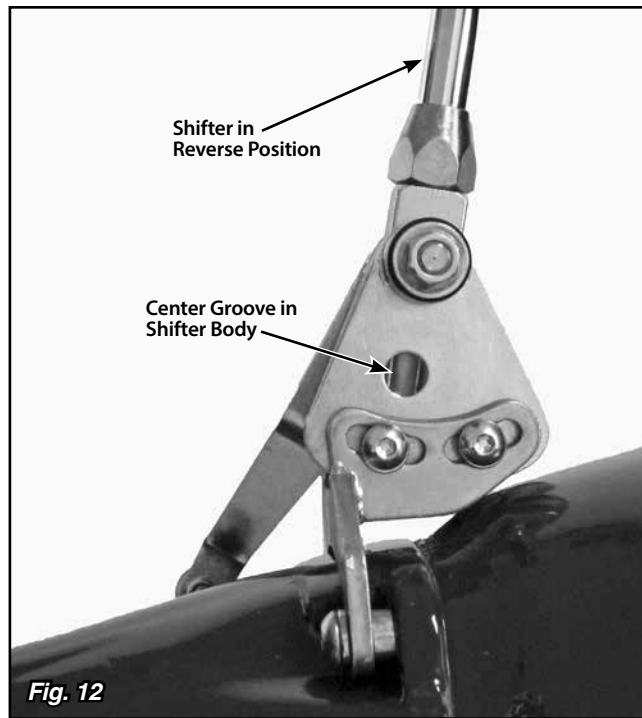
Step 19: Remove the aluminum adjuster plug, and reinstall the neutral safety switch and washer onto the shifter. Test for continuity by connecting an ohmmeter lead to each stud on the neutral safety switch. When adjusted correctly, you will only have continuity between the two switch studs when the shifter is in Park or Neutral. Continuity in any other gear requires readjustment of the neutral safety switch or the Shifter.

Step 20: Connect the neutral safety switch between your ignition switch and starter circuits. Check the wiring of your fuse panel:

- If there are (2) connections for a neutral safety switch, run a #12 (or heavier) stranded wire from these terminals in your fuse panel to the (2) terminals on the neutral safety switch. That completes the Neutral Safety Switch wiring.
- If your fuse panel does not have neutral safety switch connections, locate the wire going from the ignition switch to the starter. If GM color codes are used, this wire will usually be purple. After locating the wire, disconnect it from the starter. It must be cut and routed from the ignition switch to one of the neutral safety switch terminals, and from the other neutral safety switch terminal to the same stud on the starter where the original wire was removed. If the wire must be lengthened, be sure to use wire that is at least the same size or larger than the original.

Step 21: Reconnect the negative battery cable and check operation. Make sure that the engine will not start in reverse or a drive gear. If it does, follow the neutral safety switch adjustment procedure again. If your car should ever start in any gear other than Park or Neutral, please readjust the neutral safety switch accordingly. Tighten all brackets and bolts correctly and securely and there should be no movement or maladjustment. If you have any questions after following this procedure, please call Lokar Technical Support.

Step 22: Once the installation is completely finished and the neutral safety switch is adjusted, remove each of the 5/16"-24 x 1/2" button head bolts and lock washers from the welded banana brackets one at a time, apply blue thread locking compound to the threads, and reinstall the bolts with the lock washers.



Lokar Shifter Knob Removal Instructions (For Shifters Manufactured 1995 and Later)

For Shifters manufactured 1994 and earlier, please contact Lokar for assistance.

To Remove the Shifter Knob:

- Step 1:** Make sure the Shifter is all the way forward in the Park position.
- Step 2:** Loosen the jam nut below the shifter knob. **DO NOT** loosen or remove the set screw that is in the knob. **Fig. 12**
- Step 3:** Turn the shifter knob counter-clockwise to remove.

To Install the Shifter Knob:

- Step 1:** Make sure the jam nut is still in place on the shifter lever.
- Step 2:** Screw the shifter knob onto the shifter lever until the release button comes up flush with the top of the shifter knob.
- Step 3:** Tighten the jam nut up against the bottom of the shifter knob.
- Step 4:** Check to make sure that depressing the release button allows the shifter lever to be moved, and that the shifter lever still locks in Park and Neutral. If the Shifter will not come out of Park with the release button fully depressed, tighten the knob one turn and check it again. If the Shifter does not lock in Park, loosen the knob one turn and check it again.

