



QUALITY... PLAIN & SIMPLE®

Goolsby Edge Edition Interior Door Pull Installation Instructions

General Installation Notes:

Please read these instructions completely before beginning the installation. If you have any questions please call.

Before beginning the installation, disconnect the negative battery cable and use wheel chocks to block the vehicle's wheels.

We recommend using anti-seize lubricant on all aluminum threads.

Refer to Fig. 1 for the component names.

Step 1: If you are going to have either the Door Pulls or the door pull inserts painted, plated, polished, powder coated, or covered with upholstery, remove the three #10-32 x 3/8" flat head screws from each Door Pull using a 1/8" Allen wrench. Remove the door pull inserts, apply your choice of surface treatment, and reinstall the door pull inserts onto the Door Pulls.

Step 2: Determine exactly where you are going to mount the Door Pulls, and if you are going to incorporate them into armrests or other door panel features.

One end of each Door Pull is larger than the other end. The larger ends have two threaded holes, and the smaller ends have one threaded hole. Determine which threaded holes you are going to use to attach the Door Pulls to your door panels.

Mark each Door Pull with which side it will be installed on.

Step 3: Verify that there is unobstructed space behind the door panels in the locations of the threaded holes. You may need to drill one or more holes or otherwise trim your door's inner structures to create clearance for the Door Pull's mounting set screws and nylock nuts.

Make sure that your door panels are sufficiently reinforced in the area of the Door Pulls.

Step 4: Once all of the above has been done, measure and mark the locations of the mounting holes on your door panels. Drill a 3/8" diameter hole in your door panels in each of those locations.

Goolsby Edge Edition Interior Door Pull Installation Instructions

Building American Quality... With A Lifetime Warranty!®

TOLL FREE 1-877-469-7440 • tech@lokar.com • www.lokar.com

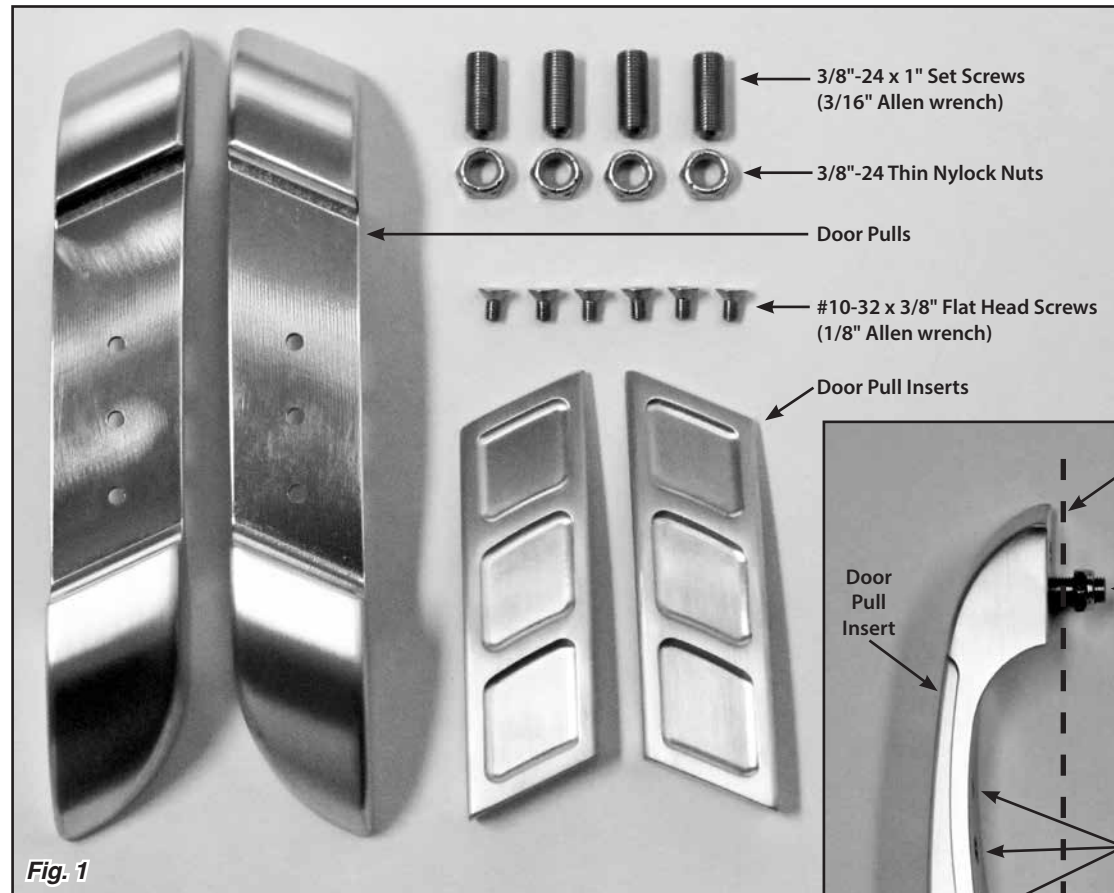


Fig. 1

Step 5: Install the 3/8"-24 x 1" set screws into the appropriate threaded holes in the Door Pulls. Tighten each one using a 3/16" Allen wrench. Fig. 2

Step 6: Position a Door Pull on the appropriate door panel. Install the thin nylock nuts onto the set screws, and tighten.

Install the door panel onto the door. Fig. 2

Step 7: Repeat Step 6 for the other door.

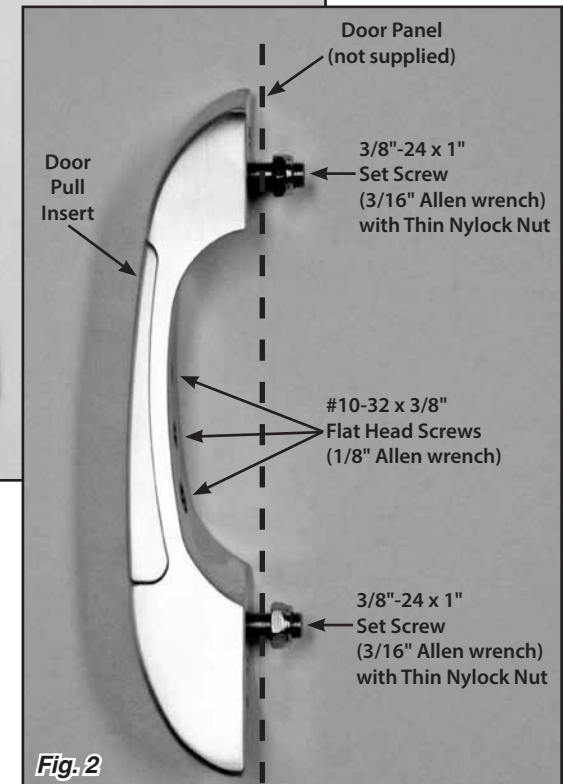


Fig. 2