



QUALITY... PLAIN & SIMPLE®

Shifter Lever Installation Instructions

(For Automatic Shifter Levers with NO THREADS at the bottom)

General Installation Notes:

Please read these instructions completely before beginning the installation. If you have any questions please call.

Before beginning the installation, disconnect the negative battery cable and use wheel chocks to block the vehicle's wheels.

We recommend using anti-seize lubricant on all aluminum threads.

These instructions are for customers who already have a Lokar automatic transmission shifter and would like to change to a taller, shorter, or different style shifter lever.

These instructions are for shifters WITHOUT threads at the bottom of the shifter lever. If your shifter lever has external threads at the bottom, see "Shifter Lever Installation Instructions For Changing to a Different Length or Style Lever", instruction number INS0112.

- Step 1:** Make sure the shifter is in "PARK". Loosen the jam nut underneath the shifter knob. **DO NOT** remove the set screw from the shifter knob! Unscrew the shifter knob to remove it from the shifter lever.
- Step 2:** Remove the jam nut and the shifter boot.
- Step 3:** Using a 1" open end wrench, remove the lower nut at the bottom of the shifter lever. Pull up on the shifter lever and remove it from the shifter assembly.
- Step 4:** If the inner rod is still attached to the shifter, pull straight up on the inner rod to remove it from the shifter, and discard.
- Step 5:** Place the bottom end of the new inner rod into the hole in the top of the lock dog shaft in the shifter. Push down on the inner rod until it bottoms out in the lock dog shaft. **Fig. 2 Make sure the inner rod is fully seated in the lock dog shaft!**

Apply a generous coat of synthetic multi-purpose grease to the inner rod. Slide the new shifter lever over the inner rod, and thread the lower nut onto the shifter. **DO NOT** use thread locking compound on the lower nut! Position the shifter lever where you want it, and tighten the lower nut.

Install the shifter boot and your original jam nut onto the new shifter lever, leaving one to three threads exposed below the jam nut.

Shifter Lever Installation Instructions

(For Automatic Shifter Levers with NO THREADS at the bottom)

Building American Quality... With A Lifetime Warranty!®

TOLL FREE 1-877-469-7440 • tech@lokar.com • www.lokar.com

Shifter Lever Replacement Kit

8" Single Bend Shifter Lever shown

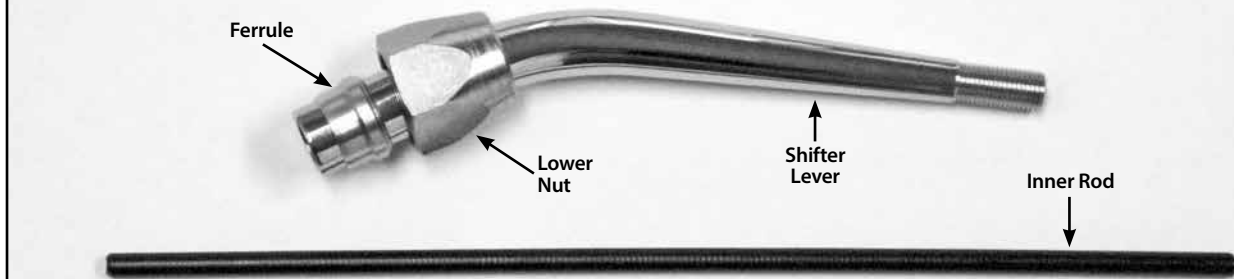


Fig. 1

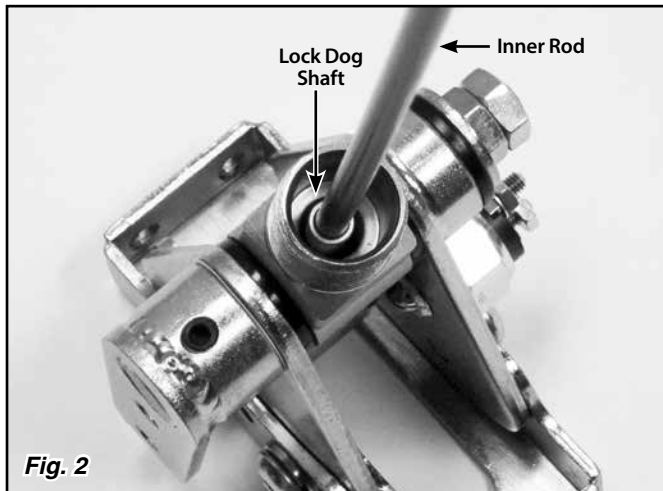


Fig. 2

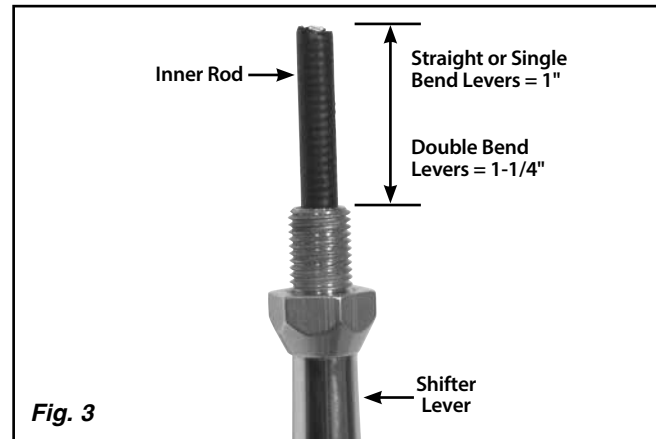


Fig. 3

Step 6: If the shifter assembly was removed from the vehicle, reinstall the shifter assembly onto the vehicle. Push down on the inner rod and put the shifter into the "PARK" position, and connect the linkage.

Step 7: The inner rod will need to be cut to fit using heavy-duty 8" diagonal cutting pliers. With the shifter in "PARK", if you are installing a straight shifter lever or a single bend shifter lever, cut the inner rod 1" above the top thread on the shifter lever. If you are installing a double bend shifter lever, cut the inner rod 1-1/4" above the top thread on the shifter lever. **Fig. 3**

Step 8: Reinstall the shifter knob. **DO NOT** use thread locking compound on the shifter lever or knob. Turn the shifter knob until the release button is flush with the body of the knob, and the shift pattern on the release button is aligned properly. Stop at that point and test the knob adjustment by moving the shifter lever through the gear positions.

If the shifter does not lock in "PARK", loosen the knob one turn. If the shifter will not come out of "PARK" with the release button fully depressed, tighten the knob one turn further.

Once the shifter knob is adjusted correctly, tighten the jam nut.

If you changed the front to rear angle of the shifter mechanism with the new lever, you will need to readjust the shifter linkage. Refer to the adjustment procedure in the Lokar shifter installation instructions.